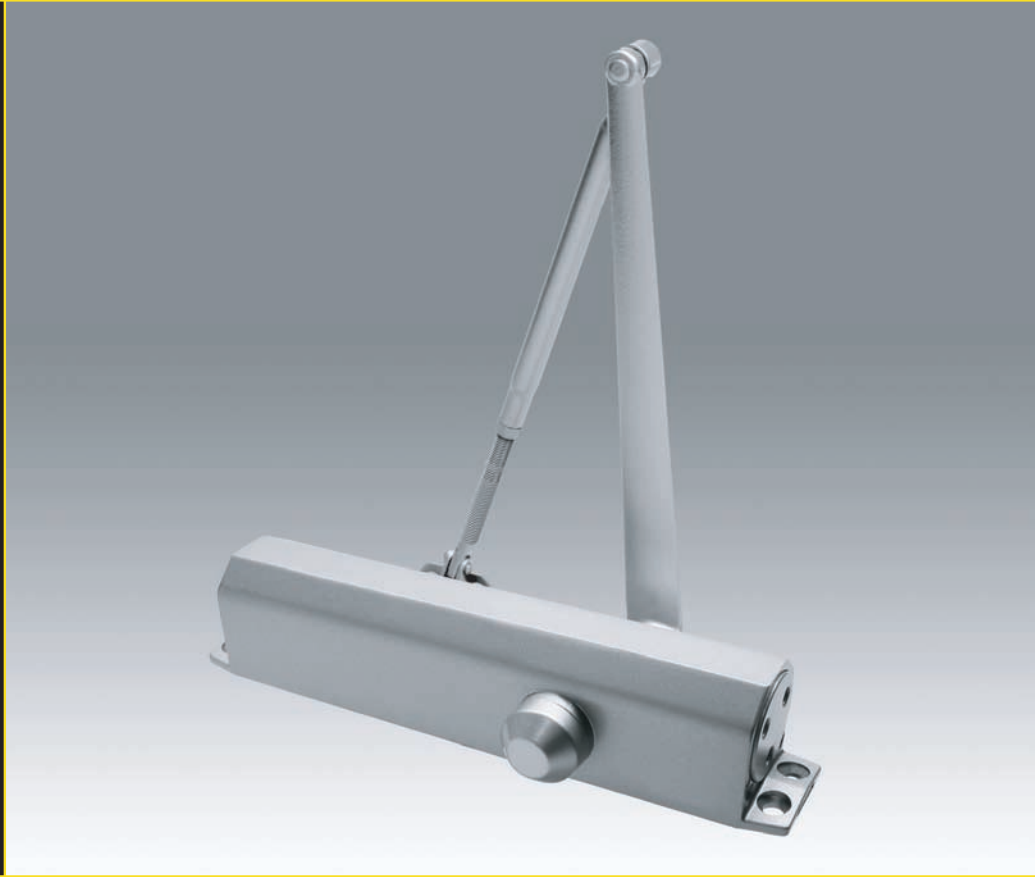


STANLEY[®]

Security Solutions



DOOR CLOSERS

D-1650 / D-1651 SERIES

STANLEY[®]

STANLEY DOOR CLOSERS

TABLE OF CONTENTS

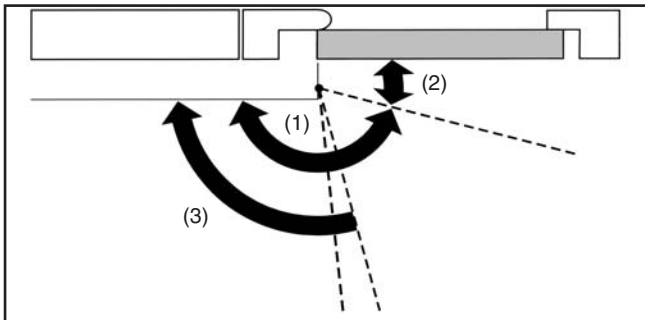
D-1650 / D-1651 Series	Page	Page	
General Information	2, 3	Top Jamb Application	6
Standard Application	4	Track Rail Arm Application	7
Parallel Arm Application	5	Accessories	8

Introduction

The D-1650 Series is Stanley's economical grade closer accommodating the standard aluminum storefront installation footprint. The D-1650 is packaged with a tri-pack arm arrangement providing universal mounting capabilities.

Features

Controls the door through the entire opening and closing cycles by providing adjustable backcheck upon opening and adjusting general and latch speeds through the closing cycle.



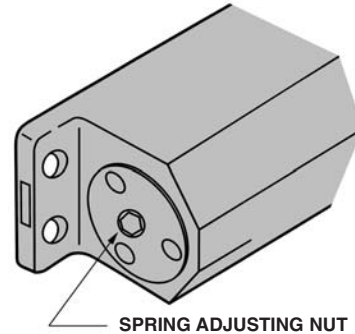
- (1) closing speed range 180° - 10°
- (2) latching speed range 10° - 0°
- (3) backcheck action range 75° - 180°

Non-Handed

Can be used on both RH and LH doors for both push side and pull side mounting.

Non-Critical Regulation

The separate adjustments for backcheck, general and latch speeds are equipped with non-critical "V-Slot" regulating valves which allow for fine tuning the closing and latching speeds as well as the backcheck intensity.



Adjustable Spring Power

The D-1650 Series Door Closers are adjustable from size 2 through 5 (3 lbf – 11 lbf closing force measured at 30" from the door pivot). The D-1651 Series Door Closers are adjustable from size 1 through 4 (2 lbf – 8 lbf closing force measured at 30" from the door pivot). The D-1651 Series Door Closers are designed to meet entrance accessibility requirements of 5 lbf opening force or less.

All Season Fluid

All season fluid eliminates the need for seasonal adjustment.

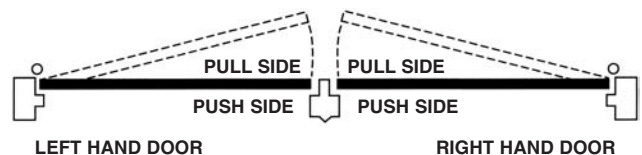
High Impact Cover (Optional)

Optional high impact self-extinguishing decorative cover is available on all Stanley D-1650 / D-1651 Series Door Closer.

Maintenance Free

Door Closers mounted in accordance with the provided installation instructions are maintenance free from periodic inspection and adjustment.

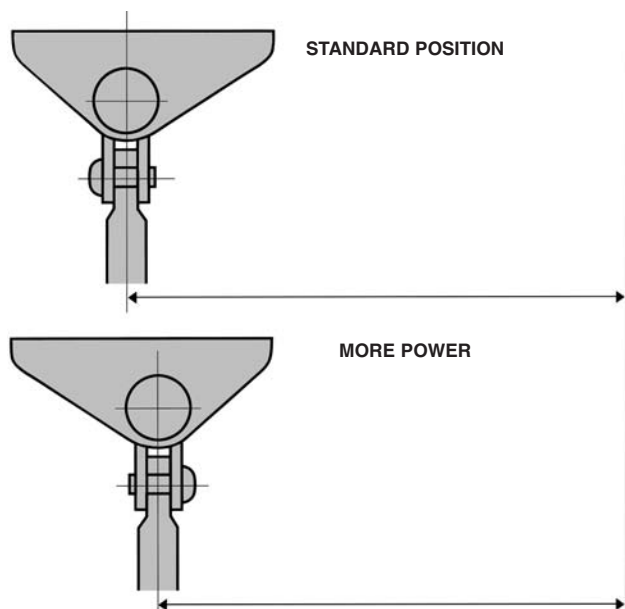
Handing



GENERAL INFORMATION

Closing Power Adjustment

The D-1650 / D-1651 Series Door Closers have the provision to adjust the leverage of the arms by changing the pivot position of the arm in the foot; thus the closing force at the latch can be increased or decreased.



Arm Options

Suffix	Description	Page
L	Long Rod Forearm (TJ only)	9
H	Standard Hold Open	4
PH	Parallel Hold Open	5
T	Track Mount	8
HT	Track Mount w/Hold Open	8

Packing

All D-1650 / D-1651 Series Door Closers with standard arm sets are packed for mounting on standard, parallel arm or top jamb applications. All closer assemblies are packed 10 per carton. Tracks for track mounted closers are packed separately.

Through Bolts and Sex Nuts

When through bolting is ordered, factory will furnish sex nuts for use with the machine screws furnished with the closer. Nuts are sized to accommodate 1-3/8" or 1-3/4" thick doors.

ANSI/BHMA Specifications

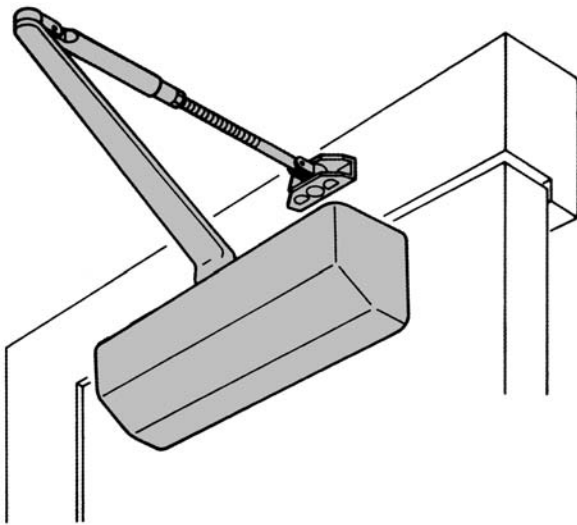
The D-1650/D-1651 Series Door Closers have been Certified to the requirements of the ANSI/BHMA Standard A156.4 - 2000 Grade 1.



HOW TO ORDER

D-165	0	PH	689	SN
Model No.	Size	Arm Type	Finishes	Fasteners
D-165	0- size 2-5 1- size 1-4	L- Long Rod Forearm (TJ only) H - Standard Hold Open PH - Parallel Hold Open T - Track Mount HT - Track Mount w/ Hold Open	689 690 691 693 695 696	SN - Sex Nuts & Bolts Wood & Machine Screws furnished standard SEC - Security Screws

STANDARD APPLICATION

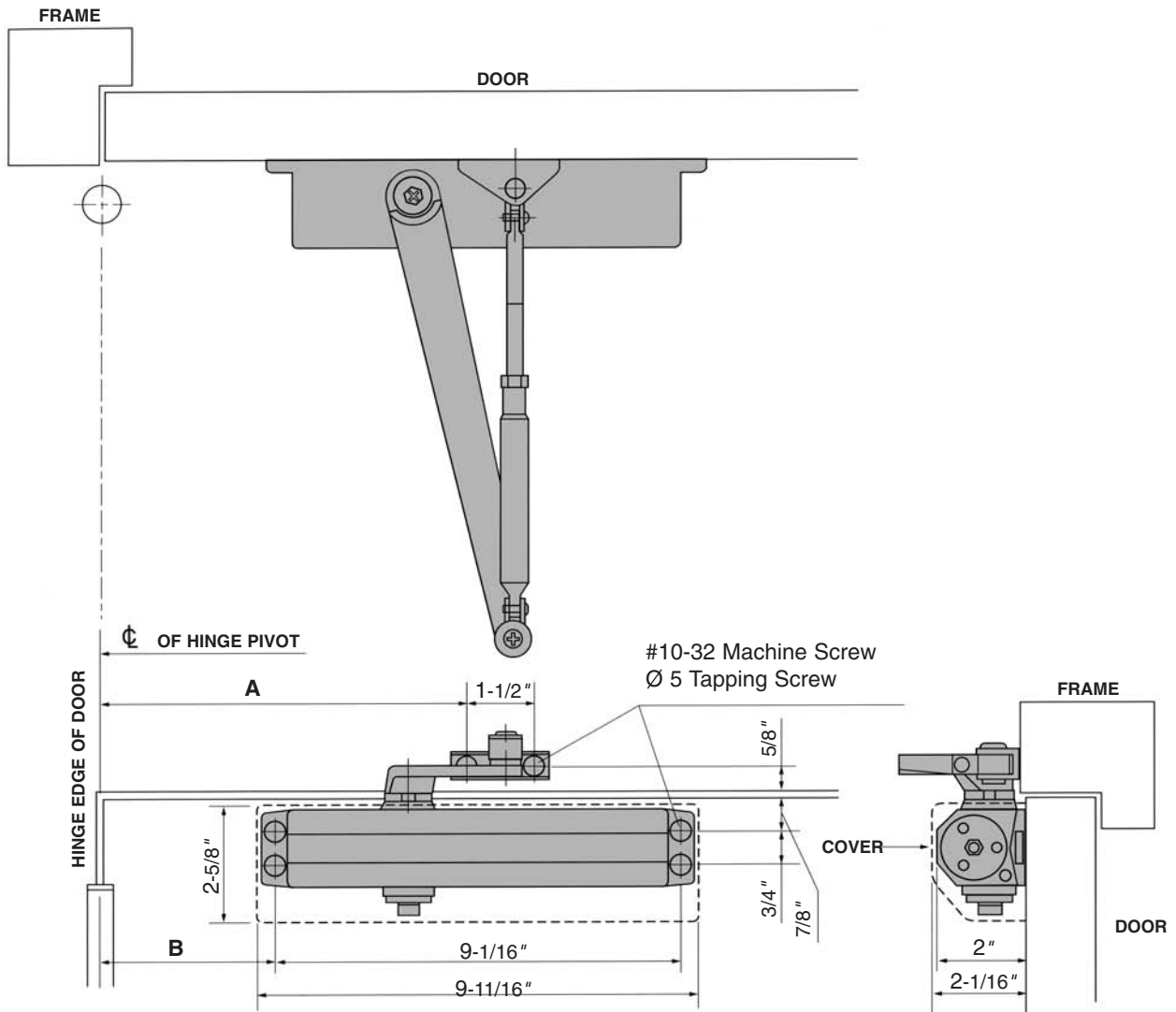

D-1650 / D-1651 Series Door Closer Specifications

- Closer mounted on **PULL** side of door
- Can be templated for either 120° or 180° (when butt, frame and wall conditions permit.)
- Custom installation template may be available for unusual installation conditions. Contact Stanley for assistance.

Maximum Door Opening

- 120° Opening
 A = 10-5/8" (270 mm)
 B = 6-5/8" (168 mm)
- 180° Opening
 A = 8-1/4" (210 mm)
 B = 4-1/4" (108 mm)

Hold-open points up to maximum door opening with hold open arm.

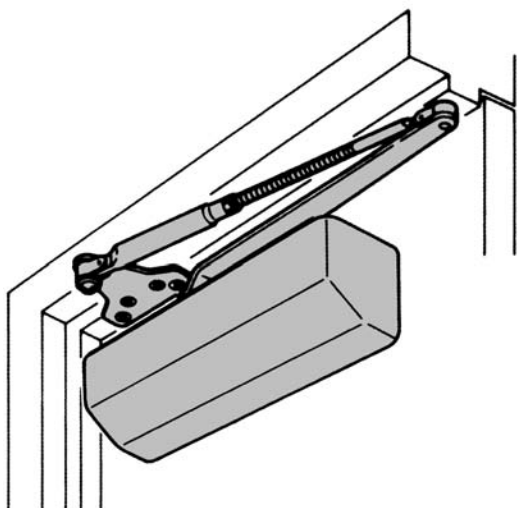


PARALLEL ARM APPLICATION

D-1650 / D-1651 Series Door Closer

Specifications

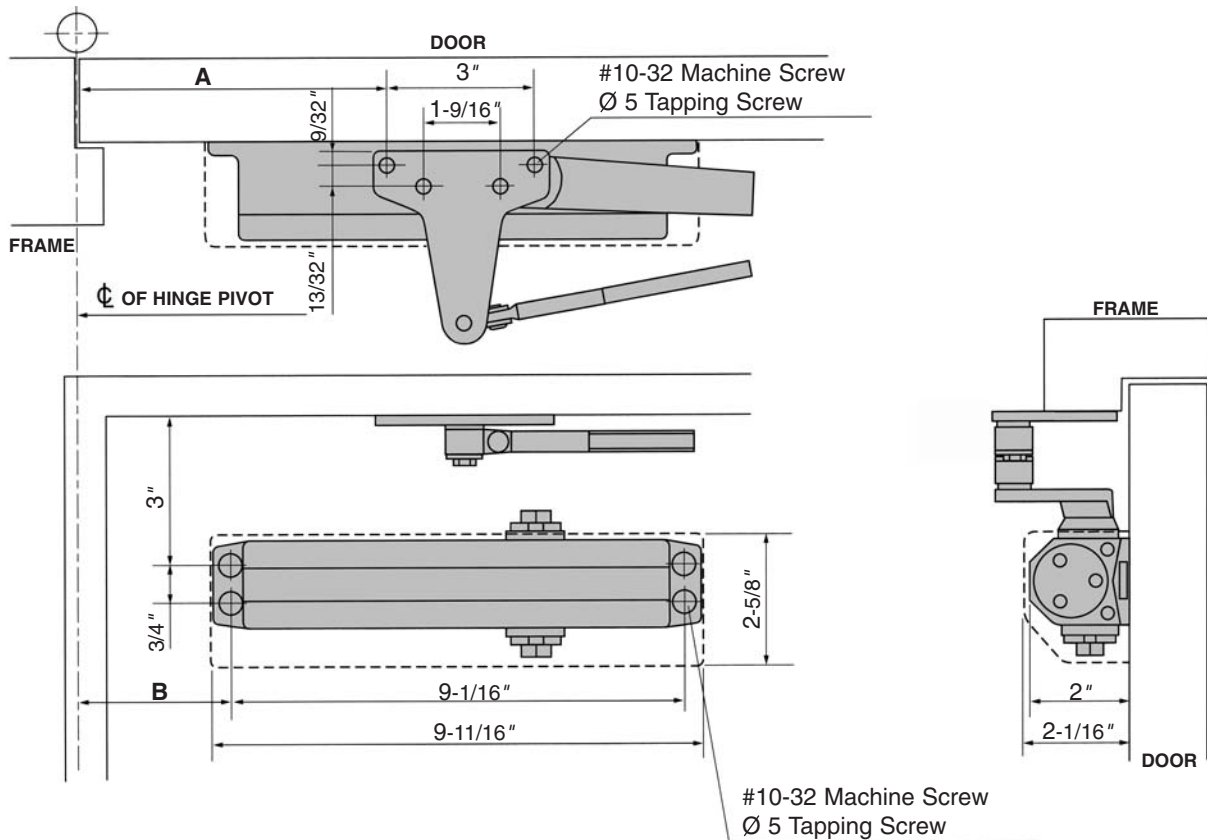
- Closer mounted on **PUSH** side of door
- Can be templated for either 120° or 180° (when butt, frame and wall conditions permit.)
- Custom installation template may be available for unusual installation conditions. Contact Stanley for assistance.



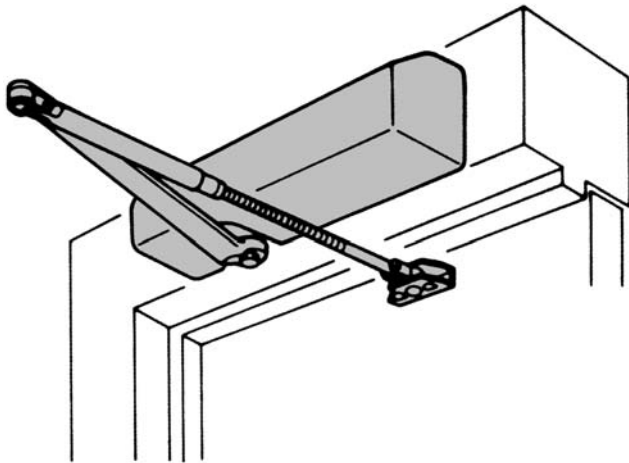
Maximum Door Opening

- 120° Opening
 A = 6-1/2" (165 mm)
 B = 10-1/2" (267 mm)
- 180° Opening
 A = 4-1/4" (108 mm)
 B = 8-1/4" (210 mm)

Hold-open points up to maximum door opening with hold open arm.



TOP JAMB APPLICATION

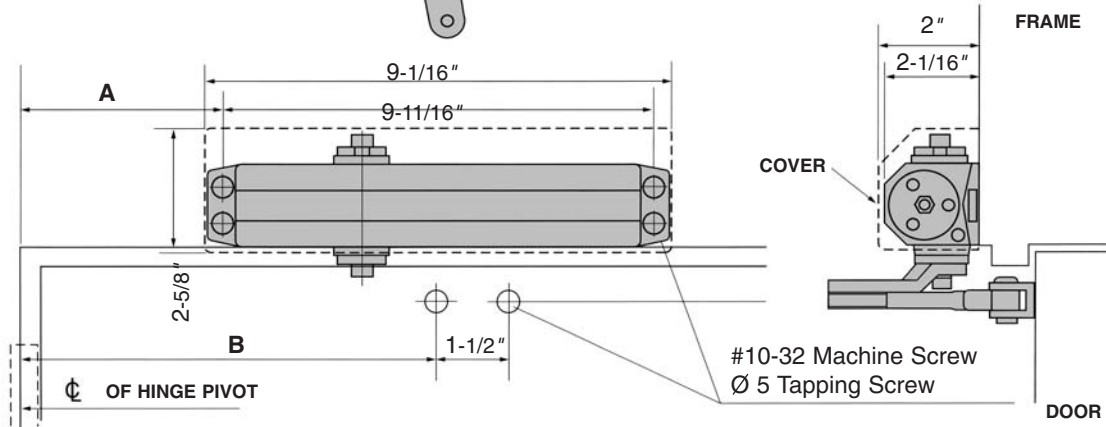
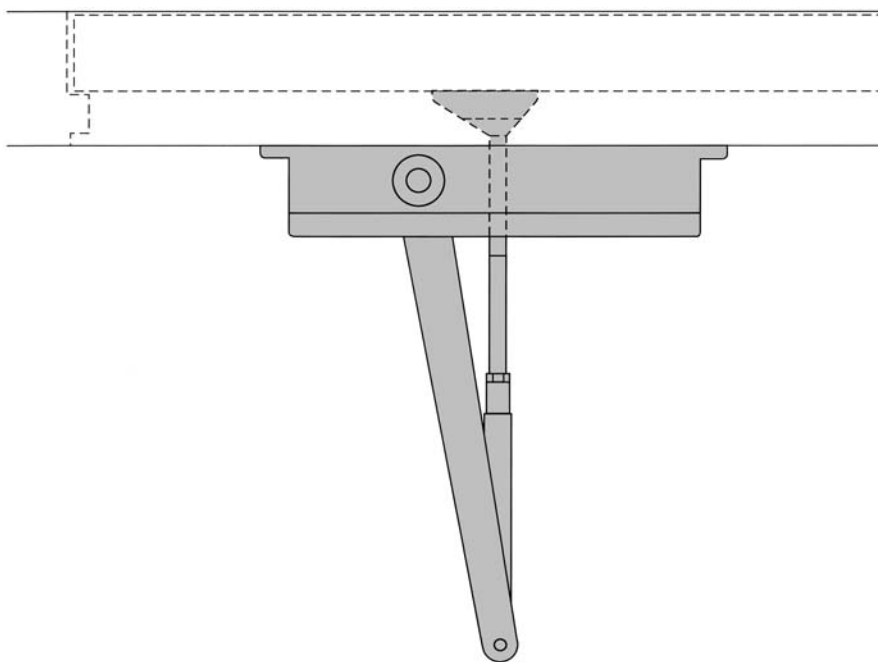


D-1650 / D-1651 Series Door Closer Specifications

- Closer mounted on PUSH side of door
- Can be templated for either 120° or 180° (when butt, frame and wall conditions permit.)
- Standard reveals up to 3-15/32" (88 mm)
- For deeper reveals use long rod and shoe A16-501L (See page 8)
- Custom installation template may be available for unusual installation conditions. Contact Stanley for assistance.

Maximum Door Opening

- 120° Opening
 A = 6-1/2" (165 mm)
 B = 10-1/2" (267 mm)
- 180° Opening
 A = 4-1/4" (108 mm)
 B = 8-1/4" (210 mm)



TRACK-RAIL ARM APPLICATION

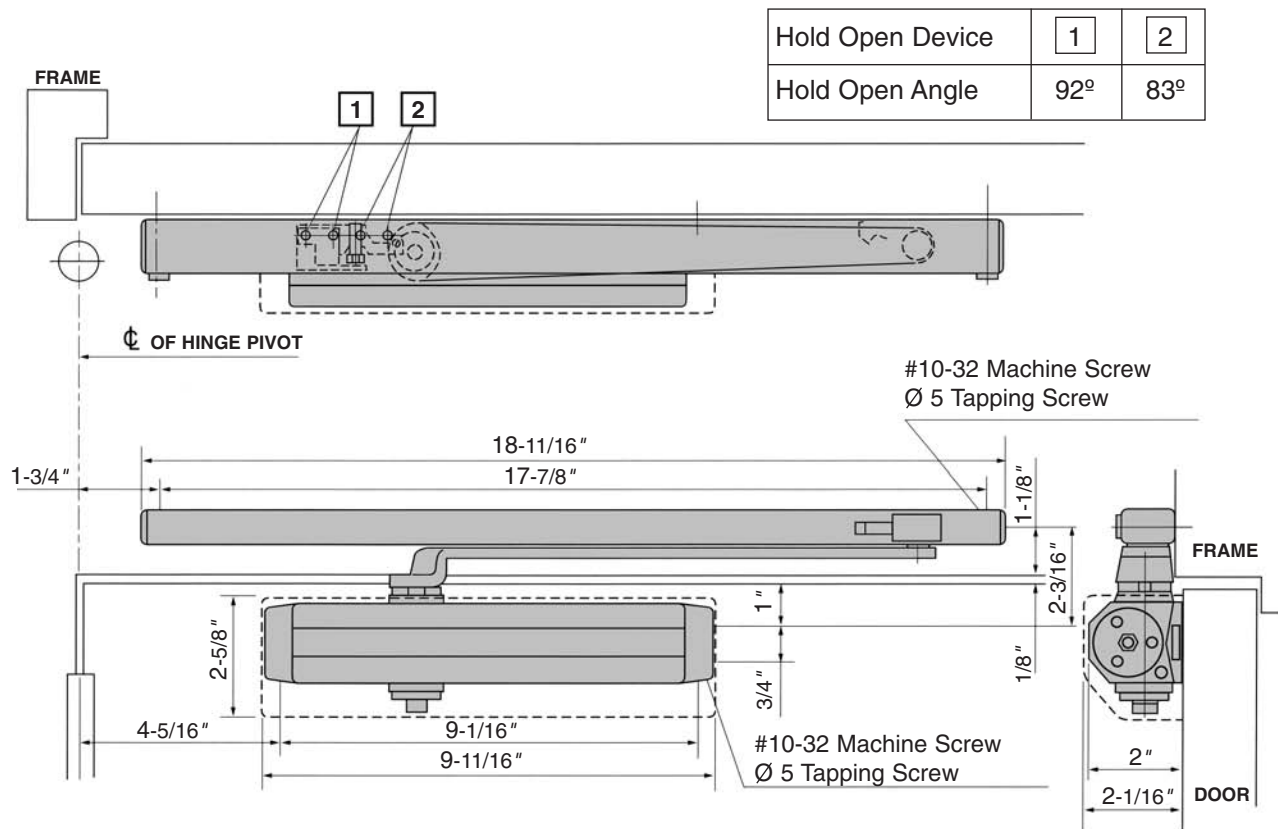
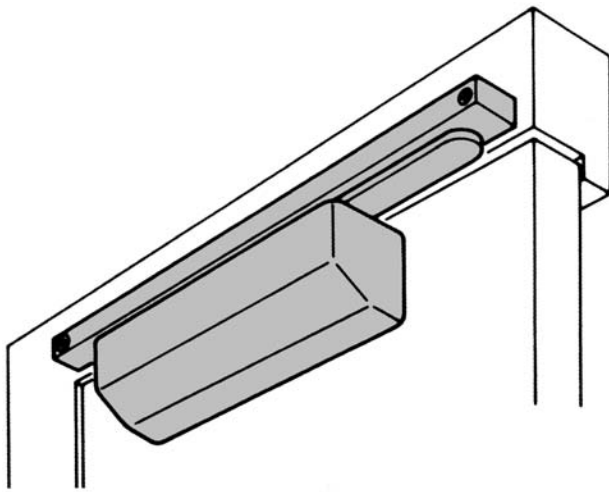
D-1650 / D-1651 Series Door Closer

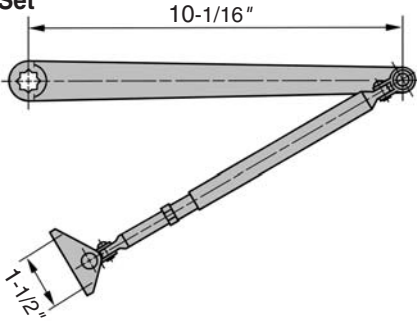
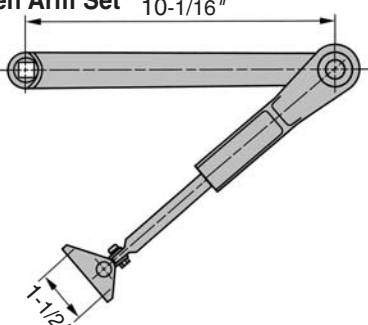
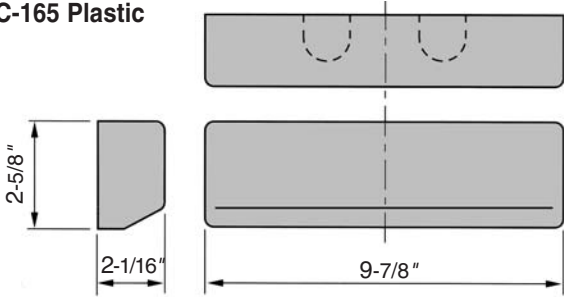
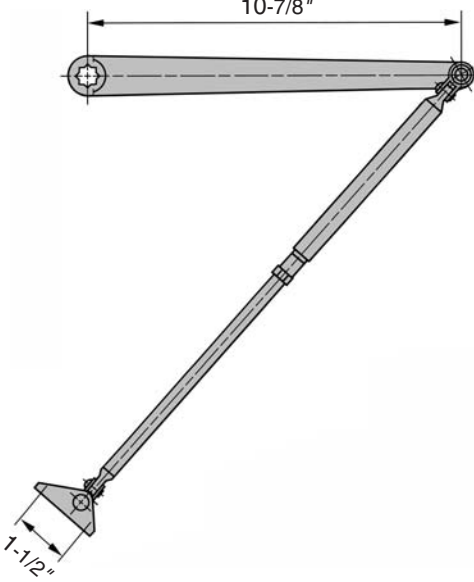
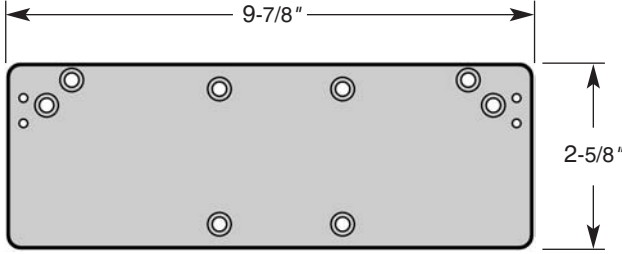
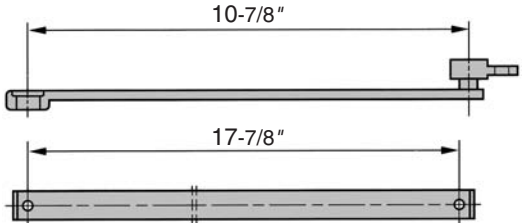
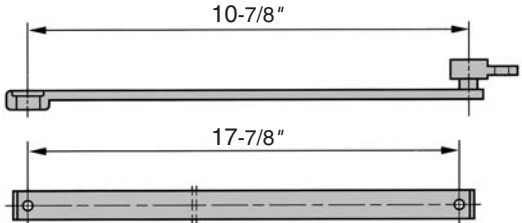
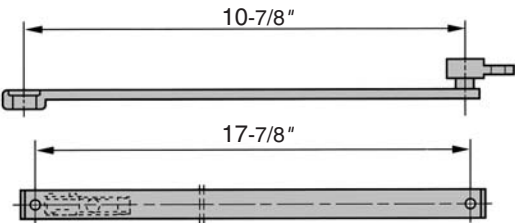
Specifications

- Closer mounted on **PULL** side of door
- Closer mounted on **PULL** side of door
- Custom installation template may be available for unusual installation conditions. Contact Stanley for assistance.

Maximum Door Opening

120° Opening



<p>Standard Arm Set A16-501</p> 	<p>Standard Hold-Open Arm Set A16-501H</p> 
<p>Full Cover (Optional) C-165 Plastic</p> 	<p>Standard Arm with Long Rod and Shoe Set A16-501L used on Reveals 3-1/2" – 8"</p> 
<p>P16-180 (Drop Plate)</p> 	<p>Track Rail Arm Set A16-507T</p> 
<p>Track Rail Arm Set A16-507T</p> 	<p>Track Rail Hold-Open Arm Set A16-507HT</p> 

Product information contained in this catalog has been compiled and presented with as much care and completeness as is reasonably possible. Errors or mistakes may be present, and in many cases, reliance has been placed on information supplied by other manufacturers which may be in error or which may be subject to changes or modifications by the manufacturer without notice and without obligation. Therefore, no guarantee can be made or should be assumed or implied with regards to product information contained in this catalog.

Product Warranty – Stanley Security Solutions' warrants that all of its products sold under its trade name "Stanley" are free of defects in materials, workmanship and operation, normal wear and tear excepted, for a period of **ten years** from the date of sale to the original purchaser.

Concerning Proper Installation: Installation instructions for any Stanley product should be carefully followed for proper operation of the installed product. If improperly installed, malfunction of the product may result.



Security Solutions

Stanley Security Solutions, Inc.

6161 E. 75th Street Indianapolis, Indiana 46250
www.stanleysecuritysolutions.com • 317.849.2250

10M R307
SDC007 Litho USA